



LIGHTING

HIGH PRESSURE SODIUM 50-400W MOGUL BASE HID

Class I, Div. 1 & 2 Groups C,D
 Class I, Zone 1 & 2, Groups IIB,IIA
 Class I, Zone 1, AEx d IIB
 Class II, Div. 1 & 2, Groups E,F,G
 Class III, Div. 1 & 2
 Suitable for wet locations
 Marine Rated (US Only)
 NEMA 3, 4, 4X
 Factory Sealed

LISTED - File E10514 and E91793 (Marine)

Certified - File LR11713

FEATURES-SPECIFICATIONS



Pendant



Ceiling



Wall



Stanchion

| EZ 50- 400 WATT, HIGH PRESSURE SODIUM ①④ | | | | | | |
|--|-----------|--------------------|----------------|----------------|-------------|--------------------|
| WATTS | ANSI LAMP | VOLTAGE @ 60HZ | CATALOG NUMBER | | | |
| | | | PENDANT 3/4" ② | CEILING 3/4" ② | WALL 3/4" ② | STANCHION 1-1/4" ③ |
| 50 | S-68 | 120, 208, 240, 277 | EZS050A2G | EZS050X2G | EZS050B2G | EZS050D4G |
| | | 120, 277, 347 | — | — | — | — |
| | | 480 | — | — | — | — |
| 70 | S-62 | 120, 208, 240, 277 | EZS070A2G | EZS070X2G | EZS070B2G | EZS070D4G |
| | | 120, 277, 347 | EZS076A2G | EZS076X2G | EZS076B2G | EZS076D4G |
| | | 480 | EZS075A2G | EZS075X2G | EZS075B2G | EZS075D4G |
| 100 | S-54 | 120, 208, 240, 277 | EZS100A2G | EZS100X2G | EZS100B2G | EZS100D4G |
| | | 120, 277, 347 | EZS106A2G | EZS106X2G | EZS106B2G | EZS106D4G |
| | | 480 | EZS105A2G | EZS105X2G | EZS105B2G | EZS105D4G |
| 150 | S-55 | 120, 208, 240, 277 | EZS150A2G | EZS150X2G | EZS150B2G | EZS150D4G |
| | | 120, 277, 347 | EZS156A2G | EZS156X2G | EZS156B2G | EZS156D4G |
| | | 480 | EZS155A2G | EZS155X2G | EZS155B2G | EZS155D4G |
| 250 | S-50 | 120, 208, 240, 277 | EZS250A2G | EZS250X2G | EZS250B2G | EZS250D4G |
| | | 120, 277, 347 | EZS256A2G | EZS256X2G | EZS256B2G | EZS256D4G |
| | | 480 | EZS255A2G | EZS255X2G | EZS255B2G | EZS255D4G |
| 400 | S-51 | 120, 208, 240, 277 | EZS400A2G | EZS400X2G | EZS400B2G | EZS400D4G |
| | | 120, 277, 347 | EZS406A2G | EZS406X2G | EZS406B2G | EZS406D4G |
| | | 480 | EZS405A2G | EZS405X2G | EZS405B2G | EZS405D4G |

① See Hazardous Location Application Data on pages L160 - L161 for specific suitability.

② For 1 inch pendant, ceiling and wall hubs, substitute "3" for "2" in catalog number; example: **EZS070A3G**.

③ Stanchion conduit hub size supplied is 1-1/2" with 1-1/2" to 1-1/4" reducer for 1-1/4" mounting. (Refer to catalog logic).

④ Luminaire catalog numbers include guards. To order luminaire without guard, omit last letter "G" from catalog number.

NOTE: Reflectors must be ordered separately (see page L157).

All luminaires are designed for mounting with lamp in base up position.



METAL HALIDE 70-400W MOGUL BASE HID

Class I, Div. 1 & 2 Groups C,D
 Class I, Zone 1 & 2, Groups IIB,IIA
 Class I, Zone 1, AEx d IIB
 Class II, Div. 1 & 2, Groups E,F,G
 Class III, Div. 1 & 2
 Suitable for wet locations
 Marine
 NEMA 3, 4, 4X
 Factory Sealed

LISTED - File E10514 and E91793 (Marine)

Certified - File LR11713

ORDERING INFORMATION



Pendant



Ceiling



Wall



Stanchion

| EZ 70 - 400 WATT, METAL HALIDE ①④⑥ | | | | | | |
|------------------------------------|-----------|--------------------|----------------|----------------|-------------|--------------------|
| WATTS | ANSI LAMP | VOLTAGE @ 60HZ | CATALOG NUMBER | | | |
| | | | PENDANT 3/4" ② | CEILING 3/4" ② | WALL 3/4" ② | STANCHION 1-1/4" ③ |
| 70 o | M-98 | 120, 208, 240, 277 | EZH070A2G | EZH070X2G | EZH070B2G | EZH070D4G |
| | | 120, 277,347 | EZH076A2G | EZH076X2G | EZH076B2G | EZH076D4G |
| | | 480 | EZH075A2G | EZH075X2G | EZH075B2G | EZH075D4G |
| 100 o | M-90 | 120, 208, 240, 277 | EZH100A2G | EZH100X2G | EZH100B2G | EZH100D4G |
| | | 120, 277,347 | EZH106A2G | EZH106X2G | EZH106B2G | EZH106D4G |
| | | 480 | EZH105A2G | EZH105X2G | EZH105B2G | EZH105D4G |
| 175 o | M-575 n | 120, 208, 240, 277 | EZH170A2G | EZH170X2G | EZH170B2G | EZH170D4G |
| | | 120, 277,347 | EZH176A2G | EZH176X2G | EZH176B2G | EZH176D4G |
| | | 480 | EZH175A2G | EZH175X2G | EZH175B2G | EZH175D4G |
| 250 o | M-58 | 120, 208, 240, 277 | EZH250A2G | EZH250X2G | EZH250B2G | EZH250D4G |
| | | 120, 277,347 | EZH256A2G | EZH256X2G | EZH256B2G | EZH256D4G |
| | | 480 | EZH255A2G | EZH255X2G | EZH255B2G | EZH255D4G |
| 400 o | M-59 | 120, 208, 240, 277 | EZH400A2G | EZH400X2G | EZH400B2G | EZH400D4G |
| | | 120, 277,347 | EZH406A2G | EZH406X2G | EZH406B2G | EZH406D4G |
| | | 480 | EZH405A2G | EZH405X2G | EZH405B2G | EZH405D4G |

① See Hazardous Location Application Data on pages L160 - L161 for specific suitability.
 ② For 1 inch pendant, ceiling and wall hubs, substitute "3" for "2" in catalog number; example: **EZH070A3G**.
 ③ Stanchion conduit hub size supplied is 1-1/2" with 1-1/2" to 1-1/4" reducer for 1-1/4" mounting. (Refer to catalog logic).
 ④ Luminaire catalog numbers include guards. To order luminaire without guard, omit last letter "G" from catalog number.
 ⑤ Will also operate 150W M107 Metal Halide Lamps.
 ⑥ 175, 250, 400W MH EXPORT ONLY (EISA LAW).
 NOTE: Reflectors must be ordered separately (see page L157).
 All luminaires are designed for mounting with lamp in base up position.



LIGHTING

PULSE START METAL HALIDE 150-400W MOGUL BASE HID

Class I, Div. 1 & 2 Groups C,D
 Class I, Zone 1 & 2, Groups IIB,IIA
 Class I, Zone 1, AEx d IIB
 Class II, Div. 1 & 2, Groups E,F,G
 Class III, Div. 1 & 2
 Suitable for wet locations
 Marine
 NEMA 3, 4, 4X
 Factory Sealed

LISTED - File E10514 and E91793 (Marine)

Certified - File LR11713

ORDERING INFORMATION



Pendant



Ceiling



Wall



Stanchion

| EZ 150 - 400 WATT, PULSE START METAL HALIDE ①④⑥ | | | | | | |
|---|----------------|--------------------|----------------|----------------|-------------|--------------------|
| WATTS | ANSI LAMP | VOLTAGE @ 60HZ | CATALOG NUMBER | | | |
| | | | PENDANT 3/4" ② | CEILING 3/4" ② | WALL 3/4" ② | STANCHION 1-1/4" ③ |
| 150 | M-102 M-142 | 120, 208, 240, 277 | EZP150A2G | EZP150X2G | EZP150B2G | EZP150D4G |
| | | 120,277,347 | EZP156A2G | EZP156X2G | EZP156B2G | EZP156D4G |
| | | 480 | EZP155A2G | EZP155X2G | EZP155B2G | EZP155D4G |
| 175 | M-137 | 120, 208, 240, 277 | EZP170A2G | EZP170X2G | EZP170B2G | EZP170D4G |
| | | 120,277,347 | EZP176A2G | EZP176X2G | EZP176B2G | EZP176D4G |
| | | 480 | EZP175A2G | EZP175X2G | EZP175B2G | EZP175D4G |
| 250 | M-138 | 120, 208, 240, 277 | EZP250A2G | EZP250X2G | EZP250B2G | EZP250D4G |
| | | 120,277,347 | EZP256A2G | EZP256X2G | EZP256B2G | EZP256D4G |
| | | 480 | EZP255A2G | EZP255X2G | EZP255B2G | EZP255D4G |
| 320 | M-132 | 120, 208, 240, 277 | EZP320A2G | EZP320X2G | EZP320B2G | EZP320D4G |
| | | 120,277,347 | EZP326A2G | EZP326X2G | EZP326B2G | EZP326D4G |
| | | 480 | EZP325A2G | EZP325X2G | EZP325B2G | EZP325D4G |
| 350 | M-131 | 120, 208, 240, 277 | EZP350A2G | EZP350X2G | EZP350B2G | EZP350D4G |
| | | 120,277,347 | EZP356A2G | EZP356X2G | EZP356B2G | EZP356D4G |
| | | 480 | EZP355A2G | EZP355X2G | EZP355B2G | EZP355D4G |
| 400 | M-135 | 120, 208, 240, 277 | EZP400A2G | EZP400X2G | EZP400B2G | EZP400D4G |
| | | 120,277,347 | EZP406A2G | EZP406X2G | EZP406B2G | EZP406D4G |
| | | 480 | EZP405A2G | EZP405X2G | EZP405B2G | EZP405D4G |

① See Hazardous Location Application Data on pages L160 - L161 for specific suitability.

② For 1 inch pendant, ceiling and wall hubs, substitute "3" for "2" in catalog number; example: **EZP170A3G**.

③ Stanchion conduit hub size supplied is 1-1/2" with 1-1/2" to 1-1/4" reducer for 1-1/4" mounting. (Refer to catalog logic).

④ Luminaire catalog numbers include guards. To order luminaire without guard, omit last letter "G" from catalog number.

NOTE: Reflectors must be ordered separately (see page L157).

All luminaires are designed for mounting with lamp in base up position.



COMPONENT PARTS/ACCESSORIES/OPTIONS • HID FIXTURES

Mounting Boxes



Pendant



Ceiling



EAC[®]



Wall Bracket



25° Stanchion



HIC-BEIGE replacement wiring plug for EZBx Wall Bracket



EZCUP Close up plug for EZ mounting boxes. Used for maintenance when fixture is removed for service.



Replacement Globe & Support Assemblies

| REPLACEMENT GLOBE & GLOBE SUPPORT ASSEMBLY | | | |
|--|-----------|---------------|----------------|
| SERIES | LAMP TYPE | WATTAGE | CATALOG NUMBER |
| EZS | HPS | 50-150 | EZGS1 |
| EZH | MH | 70-250 | |
| EZP | MHP | 150, 175, 250 | |
| EZS | HPS | 250, 400 | EZGS2 |
| EZH | MH | 400 | |
| EZP | MHP | 320-400 | |

| MOUNTING BOXES | | | | |
|-----------------|----------------|---------|---------|-----------|
| HUB SIZE | CATALOG NUMBER | | | |
| | PENDANT | CEILING | BRACKET | STANCHION |
| 3/4" | EZA2 | EZX2** | EZB2 | — |
| 1" | EZA3 | EZX3 | EZB3 | — |
| 1-1/4" / 1-1/2" | — | — | — | EZD4* |

* Supplied as 1-1/2" NPT with 1-1/2" x 1-1/4" reducer
 ** 25 cu. in. below EZTB tangs.

EZ OPTIONS

Instant Restart Option


Factory installed special ignitor provides hot lamp instant restart of HPS lamps after power interruption of up to 1 minute. Available for 50, 70, 100 and 150 watt HPS lamps only. Add suffix "R" to fixture catalog number (50/60 Hz).

Quartz Emergency Lamp

Factory installed special auxiliary quartz relay and D.C. bayonet base socket installed to accept 100 watt, 120 volt quartz (100Q/DC) lamps only. Lamps not supplied. Refer to Hazardous Location Application Data chart to verify suitability. Add suffix "Q" to fixture catalog number.

Ballast Protection Cutout

Optional factory installed special ballast protector replaces the standard HPS ignitor and applies starting pulse to the lamp for 10 to 15 seconds each time voltage is supplied to the ballast. If the lamp has not ignited by the end of the time period, the starter will cease pulsing. Used to eliminate the continuous high voltage pulsing of the ignitor when end of life, lamp cycling, or missing lamp conditions exist. Available for 70, 100, 150, 250 and 400 watt HPS fixtures. Add suffix "BP" to fixture catalog number.



FACTORY SEALED
 Class I, DIV. 1 BCD
 Class II, DIV. 1&2 EFG
 CLASS III
 NEMA 3, 4X IP66
 *40°C ambient T3 Rated

| PHOTO CELL FIELD KITS WITH HKB - GL BOX AND COVER | |
|---|------------|
| VMHKPC1 | 120VAC |
| VMHKPC2 | 208-277VAC |
| VMHKPC3 | 347VAC |

Notes: BP & R cannot be used together.
 Q & R cannot be used together.



LIGHTING

COMPONENT PARTS/ACCESSORIES

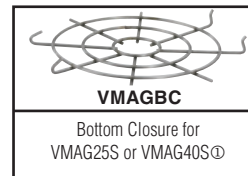


EZG1



VMAG40S

| GUARDS | | | | |
|----------------|--------|-----------|---------------|-----------------------|
| CATALOG NUMBER | SERIES | LAMP TYPE | WATTAGE | DESCRIPTION |
| EZG1 | EZS | HPS | 50-150 | Painted cast aluminum |
| | EZH | MH | 70-250 | |
| | EZP | MHP | 150, 175, 250 | |
| VMAG40S | EZH | MH | 400 | Cadmium plated steel |
| | EZP | MHP | 320-400 | |



[Ⓢ] For VMAG40S with bottom closure order part number VMAG40SBC.



VMPSD40



EZTB



VMPA40



HRD400
HRD400ALZ (pictured)



EZCB



EZMO

| REFLECTORS | |
|----------------|--|
| CATALOG NUMBER | DESCRIPTION |
| VMPSD40 | Standard dome. fiberglass reinforced polyester |
| VMPA40 | 30° Angle fiberglass reinforced polyester |
| HRD400 | Deep dome. Aluminum with white finish [Ⓢ] |
| HRD400ALZ | Deep dome with specular anodized finish [Ⓢ] |

| REPLACEMENT CONNECTION BLOCKS AND LAMP SOCKET | |
|---|-------------------------------------|
| CATALOG NUMBER | DESCRIPTION |
| EZTB | Female (goes in splice box) |
| EZCB | Male (goes in top of fixture body) |
| EZMO | Replacement lamp socket with gasket |

[Ⓢ] For clearance, wall mount models require standoff of 1/2" if not bottom feed; 1-1/2" if bottom feed.



BALLAST HOUSING WITH GLOBE SUPPORT ASSEMBLY



Housing Globe & Globe Support Assemblies

FEATURES-SPECIFICATIONS

| HPS HOUSING GLOBE & GLOBE SUPPORT ASSEMBLIES ① | | | |
|---|----------------|-------------------------|----------------|
| WATTS | ANSI LAMP TYPE | VOLTAGE | CATALOG NUMBER |
| 50 | S-68/HPS | 120, 208, 240, 277/60Hz | EZS050 |
| | | 220, 240V/50Hz | EZS058 |
| 70 | S-62/HPS | 120, 208, 240, 277/60Hz | EZS070 |
| | | 480 60Hz | EZS075 |
| | | 120, 277, 347/60Hz | EZS076 |
| | | 220, 240V/50Hz | EZS078 |
| 100 | S-54/HPS | 120, 208, 240, 277/60Hz | EZS100 |
| | | 480 60Hz | EZS105 |
| | | 120, 277, 347/60Hz | EZS106 |
| | | 220, 240V/50Hz | EZS108 |
| 150 | S-55/HPS | 120, 208, 240, 277/60Hz | EZS150 |
| | | 480 60Hz | EZS155 |
| | | 120, 277, 347/60Hz | EZS156 |
| | | 220, 240V/50Hz | EZS158 |
| 250 | S-50/HPS | 120, 208, 240, 277/60Hz | EZS250 |
| | | 480 60Hz | EZS255 |
| | | 120, 277, 347/60Hz | EZS256 |
| | | 220, 240V/50Hz | EZS258 |
| 400 | S-51/HPS | 120, 208, 240, 277/60Hz | EZS400 |
| | | 480 60Hz | EZS405 |
| | | 120, 277, 347/60Hz | EZS406 |
| | | 220, 240V/50Hz | EZS408 |

① HPS and MH assemblies may be ordered with the CEN (CENELEC) suffix; see page L160 for more information.

| METAL HALIDE HOUSING GLOBE & GLOBE SUPPORT ASSEMBLIES ① | | | |
|--|----------------|-------------------------|----------------|
| WATTS | ANSI LAMP TYPE | VOLTAGE | CATALOG NUMBER |
| 70 | M-98/MH | 120, 208, 240, 277/60Hz | EZH070 |
| | | 120, 277, 347V/60Hz | EZH076 |
| | | 480 60Hz | EZH075 |
| | | 220/240V/50Hz | EZH078 |
| 100 | M-90/MH | 120, 208, 240, 277/60Hz | EZH100 |
| | | 120, 347V/60Hz | EZH106 |
| | | 120, 220, 240V/50Hz | EZH108 |
| | | 480 60Hz | EZH105 |
| 175 | M-57/MH | 120, 208, 240, 277/60Hz | EZH170 |
| | | 480 60Hz | EZH175 |
| | | 120, 277, 347V/60Hz | EZH176 |
| | | 220, 240V/50Hz | EZH178 |
| 250 | M-58/MH | 120, 208, 240, 277/60Hz | EZH250 |
| | | 480 60Hz | EZH255 |
| | | 120, 277, 347V/60Hz | EZH256 |
| | | 220, 240V/50Hz | EZH258 |
| 400 | M-59/MH | 120, 208, 240, 277/60Hz | EZH400 |
| | | 480 60Hz | EZH405 |
| | | 120, 277, 347V/60Hz | EZH406 |
| | | 220, 240V/50Hz | EZH408 |

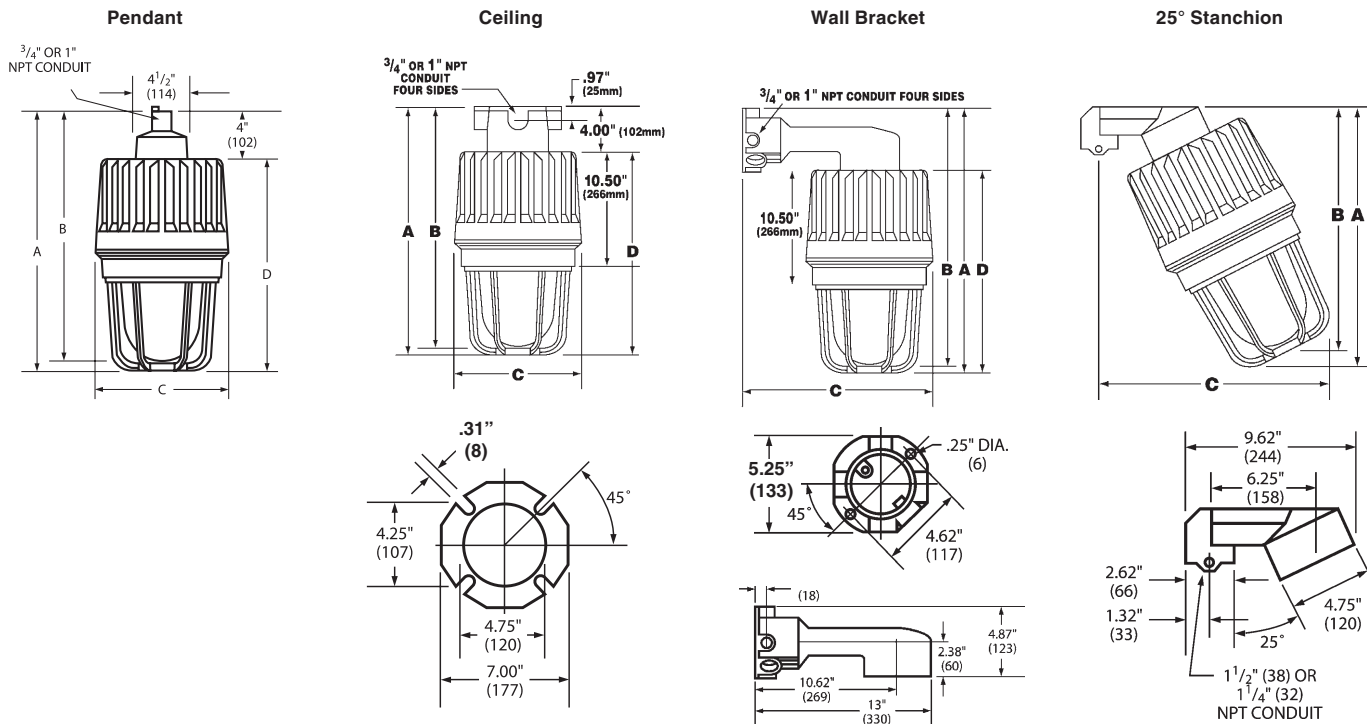
| PULSE START HOUSING GLOBE & GLOBE SUPPORT ASSEMBLIES | | | |
|---|----------------|-------------------------|----------------|
| WATTS | ANSI LAMP TYPE | VOLTAGE | CATALOG NUMBER |
| 175 k | M137/MHP | 120, 208, 240, 277/60Hz | EZP170 |
| | | 480 | EZP175 |
| | | 120, 277, 347V/60Hz | EZP176 |
| 250 | M138/MHP | 120, 208, 240, 277/60Hz | EZP250 |
| | | 480 | EZP255 |
| | | 120, 277, 347V/60Hz | EZP256 |
| | | 220, 240V/50Hz | EZP258 |
| 320 | M132/MHP | 120, 208, 240, 277/60Hz | EZP320 |
| | | 480 | EZP325 |
| | | 120, 277, 347V/60Hz | EZP326 |
| | | 220, 240V/50Hz | EZP328 |
| 350 | M131/MHP | 120, 208, 240, 277/60Hz | EZP350 |
| | | 480 | EZP355 |
| | | 120, 277, 347V/60Hz | EZP356 |
| | | 220, 240V/50Hz | EZP358 |
| 400 | M135/MHP | 120, 208, 240, 277/60Hz | EZP400 |
| | | 480 | EZP405 |
| | | 120, 277, 347V/60Hz | EZP406 |
| | | 220, 240V/50Hz | EZP408 |

© For 150 Watt, change "7" to "5" in catalog number. Example EZP150.

NOTE: See pages L141 - L142 for ballast data & fuse kit information.

LIGHTING

DIMENSIONS

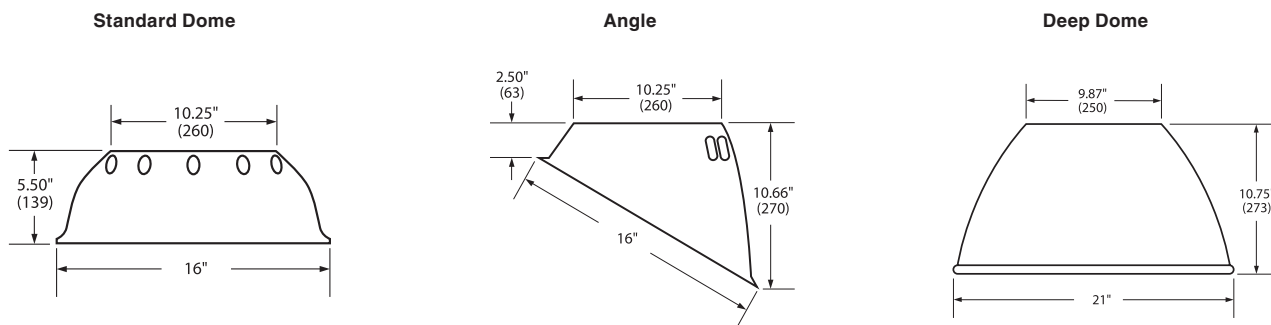


| MOUNTING DIMENSIONS | | | | | | | | | | | | | | | |
|---------------------|------------------|------------------|------------------|------------------|------------------|------------------|------------------|------------------|------------------|------------------|------------------|------------------|------------------|--------------------|--------------------|
| | PENDANT | | | | CEILING | | | | BRACKET | | | | STANCHION | | |
| | A | B | C | D | A | B | C | D | A | B | C | D | A | B | C |
| 50-250W* EZL LED | 22" (558) | 21-1/4" (539) | 11-1/4" (285) | 18" (457) | 22" (558) | 21-1/4" (539) | 11-1/4" (285) | 18" (457) | 22-7/8" (580) | 22-1/8" (561) | 16-3/4" (425) | 18" (457) | 24-7/8" (631) | 24" (609) | 19-13/16" (503) |
| 250-400W** | 26-1/4" (666) | 24-1/4" (615) | 11-1/4" (285) | 22-1/4" (565) | 26-1/4" (666) | 24-1/4" (615) | 11-1/4" (285) | 22-1/4" (565) | 26-7/8" (682) | 24-7/8" (631) | 16-3/4" (425) | 22-1/4" (565) | 28-1/2" (724) | 26-11/16" (678) | 21-1/2" (546) |

* 50, 70, 100, and 150W HPS; 70, 100, 175 and 250W MH; 150, 175, 250W MHP.

** 250 and 400W HPS, 400W MH; 320, 350, 400W MHP.

Reflector Dimensions





CLASS I APPLICATION DATA FOR HAZARDOUS LOCATIONS



CEN Options

Applications

Killark EZ series fixtures are available with a European "Certificate of Conformity" from PTB (Physikalisch-Technische Bundesanstalt), the approval agency based in Germany. Fixtures with this rating will be useful for Original Equipment Manufacturers and others who build and ship apparatus into European markets.

This approval is granted by PTB with the use of a special ground lug and label. Fixtures carrying an EEx d IIB approval are automatically granted an IP54 (ingress protection) rating. See Temperature Code chart below for PTB certified ratings. Killark EZ fixtures with the PTB rating and labels still carry all UL & CSA ratings.

Fixture housing/globe/globe support assemblies (e.g. EMS050 CEN) may be ordered with the CEN suffix. Complete fixture numbers, with the CEN suffix, will be shipped with the mounting boxes, guards and accessories as component parts. Reflectors and other accessory parts, as listed on page L157, may be used. Killark fixtures are NPT tapped and plugged with at least one conduit hole open.

Compliances

- EN 50014:1992
- EN 50018:1994



EEx d IIB T6 (or T5-T2)
PTB No. Ex-98.E.1076

| EZ HAZARDOUS LOCATION DATA—CLASS I, DIVISIONS 1 & 2 ①②④ | | | | | | | |
|---|------|------------|------------------|----------------------------------|---|---------------------|---------------|
| LAMP | | | RATED AMBIENT °C | SUPPLY WIRE SUITABLE FOR °C MIN. | CLASS I, DIVISIONS 1 & 2 MAXIMUM SURFACE TEMPERATURE UL/CSA | | |
| SERIES | TYPE | WATTS | | | TEMP. I.D. W/O QTZ. | TEMP. I.D. W/QTZ. L | UL/CSA GROUPS |
| EZH | HPS | 50 | 40 | 85 | T5 | T4 | C,D |
| | | | 55 | 85 | T5 | N/A | C,D |
| | | | 65 | 85 | T4A | N/A | C,D |
| | | 70 | 40 | 85 | T5 | T4 | C,D |
| | | | 55 | 85 | T5 | N/A | C,D |
| | | | 65 | 85 | T4A | N/A | C,D |
| | | 100 | 40 | 85 | T5 | T4 | C,D |
| | | | 55 | 85 | T5 | N/A | C,D |
| | | | 65 | 85 | T4A | N/A | C,D |
| | | 150 | 40 | 85 | T4A | T4 | C,D |
| | | | 55 | 85 | T4A | N/A | C,D |
| | | | 65 | 85 | T4 | N/A | C,D |
| 250 | 40 | 85 | T3C | T3C | C,D | | |
| | 55 | 85 | T3C | N/A | C,D | | |
| 400 | 40 | 85 | T3C | T3C | C,D | | |
| | 40 | 85 | T3C | T3C | C,D | | |
| EZH | MH | 70 | 40 | 85 | T4A | N/A | C,D |
| | | | 55 | 85 | T4A | N/A | C,D |
| | | | 65 | 85 | T4A | N/A | C,D |
| | | 100 | 40 | 85 | T4A | N/A | C,D |
| | | | 55 | 85 | T4A | N/A | C,D |
| | | | 65 | 85 | T4A | N/A | C,D |
| | | 175 | 40 | 85 | T4 | T3C | C,D |
| | | | 55 | 85 | T4 | N/A | C,D |
| | | 250 | 40 | 85 | T3C | T3C | C,D |
| | | | 55 | 85 | T3C | N/A | C,D |
| | | 400 | 40 | 85 | T3A | T3A | C,D |
| | | | 40 | 85 | T3A | T3A | C,D |
| EZH | MHP | 150 or 175 | 40 | 85 | T4 | T3C | C,D |
| | | | 55 | 85 | T4 | N/A | C,D |
| | | 250 | 40 | 85 | T3C | T3C | C,D |
| | | | 55 | 25 | T3C | N/A | C,D |
| | | 320 | 40 | 85 | T3A | T3A | C,D |
| | | 350 | 40 | 85 | T3A | T3A | C,D |
| | | 400 | 40 | 85 | T3A | T3A | C,D |

Notes for Class I, II, III Application Data Tables.

① Instant restrike limited to 55°C ambient maximum.

* ② Temperature code ID marked with an asterisk on Class II table are listed for simultaneous use in Class I, Groups C, D, and Class II, Groups E, F, G or Groups E, F.

③ Fixtures marked "N/A" not suitable for Class II applications when supplied with auxiliary quartz.

④ See Class II table for fixtures suitable for locations having deposits of readily combustible paint residue (paint spray booths).

Do not install where marked operating temperature exceeds ignition temperature of hazardous atmosphere.

| MAXIMUM AMBIENT TEMPERATURE RANGE - 20° C TO 40° C | | | | |
|--|-------------------|------------------|-----------------|-------------------|
| TYPE OF LUMINAIRE | TYPE OF ENCLOSURE | FORM OF THE LAMP | MAXIMUM WATTAGE | TEMPERATURE CLASS |
| EZH50 | EZx25 | ED28/M-110 | 50W | T4 |
| EZH70 | EZx25 | ED28/M-98 | 70W | T4 |
| EZH10 | EZx25 | ED28/M-90 | 100W | T4 |
| EZH15 | EZx25 | ED28/M-102 | 150W | T4 |
| EZH17 | EZx25 | ED28/M-57 | 175W | T4 |
| EZH25 | EZx25 | ED28/M-58 | 250W | T3 |
| EZH40 | EZx40 | ED37/M-59 | 400W | T3 |
| EZS50 | EZx25 | ED23-1/2/S-68 | 50W | T4 |
| EZS70 | EZx25 | ED23-1/2/S-62 | 70W | T4 |
| EZS10 | EZx25 | ED23-1/2/S-54 | 100W | T4 |
| EZS15 | EZx25 | ED23-1/2/S-55 | 150W | T4 |
| EZS25 | EZx40 | ED18/S-50 | 250W | T3 |
| EZS40 | EZx40 | ED18/S-51 | 400W | T3 |



CLASS II/III APPLICATION DATA FOR HAZARDOUS LOCATIONS

| EZ HAZARDOUS LOCATION DATAJ- CLASS II & III , DIVISIONS 1 & 2 ① ② | | | | | | | | | | | | | | |
|---|-----|------------|------------------|-----------------------------|---|----------------------|--------|-------|--|-----|---------------|-------------------------------|---------------------------|--------------------------|
| LAMP | | | RATED AMBIENT °C | SUPPLY WIRE SUITABLE FOR C° | CLASS II, DIV. 1 & 2, MAX. SURFACE TEMP. UL/CSA SUITABILITY | | | | CLASS III, DIV. 1 & 2 UL/CSA SUITABILITY | | UL-595 MARINE | U.L. PAINT SPRAY SUITABILITY④ | UL/CSA TYPE 3 (RAINTIGHT) | UL/CSA TYPE 4 (HOSEDOWN) |
| LAMP | | | | | TEMP. I.D. W/O QTZ. | TEMP. I.D. WITH QTZ③ | GROUPS | | W/O QTZ. WITH QTZ. ③ | | | | | |
| | | | | | | | | | | | | | | |
| EZS | HPS | 50 | 40 | 85 | T3C* | T3B* | | E,F,G | YES | YES | YES | YES | YES | YES |
| | | | 85 | 85 | T3C* | N/A | | E,F,G | YES | NO | YES | NO | YES | YES |
| | | | 55 | T3B* | N/A | | E,F,G | N/A | YES | NO | YES | NO | YES | YES |
| EZS | HPS | 70 | 85 | T3C* | T3B* | E,F,G | E,F,G | YES | NO | YES | YES | YES | YES | YES |
| | | | 55 | 85 | T3C* | N/A | | E,F,G | YES | NO | YES | NO | YES | YES |
| | | | 65 | 85 | T3B* | N/A | | E,F,G | YES | YES | YES | NO | YES | YES |
| EZS | HPS | 100 | 40 | 85 | T3C* | T3B* | E,F,G | E,F,G | YES | NO | YES | YES | YES | YES |
| | | | 55 | 85 | T3C* | N/A | | E,F,G | YES | NO | YES | NO | YES | YES |
| | | | 65 | 85 | T3B | N/A | | E,F,G | YES | YES | YES | NO | YES | YES |
| EZS | HPS | 150 | 40 | 85 | T3C* | T3B* | E,F,G | E,F,G | YES | YES | YES | NO | YES | YES |
| | | | 55 | 85 | T3C* | N/A | | E,F,G | YES | YES | YES | NO | YES | YES |
| | | | 65 | 85 | T3B* | N/A | | E,F,G | YES | YES | YES | NO | YES | YES |
| EZS | HPS | 250 | 40 | 85 | T3 | T3 | E,F | E,F | NO | NO | YES | NO | YES | YES |
| EZS | HPS | 400 | 40 | 85 | N/A | N/A | N/A | N/A | NO | NO | YES | NO | YES | YES |
| EZH | MH | 70 | 40 | 85 | T4A | N/A | | E,F | N/A | YES | NO | YES | YES | YES |
| | | | 55 | 85 | T4 | N/A | | E,F,G | N/A | YES | NO | YES | NO | YES |
| | | | 65 | 85 | T3C | N/A | | E,F | N/A | YES | NO | YES | NO | YES |
| EZH | MH | 100 | 40 | 85 | T4A | N/A | | E,F,G | N/A | YES | NO | YES | YES | YES |
| | | | 55 | 85 | T4 | N/A | | E,F,G | N/A | YES | NO | YES | NO | YES |
| | | | 65 | 85 | T3C | N/A | | E,F,G | N/A | YES | NO | YES | NO | YES |
| EZH | MH | 175 | 40 | 85 | T3C* | T3A* | E,F,G | N/A | YES | NO | YES | NO | YES | YES |
| | | | 55 | 85 | T3C* | N/A | | E,F,G | N/A | YES | NO | YES | NO | YES |
| EZH | MH | 250 | 40 | 85 | N/A | N/A | N/A | N/A | NO | NO | YES | NO | YES | YES |
| EZH | MH | 400 | 40 | 85 | N/A | N/A | N/A | N/A | NO | NO | YES | NO | YES | YES |
| EZP | MHP | 150 or 175 | 40 | 85 | T3C* | T3A* | E,F,G | E,F | YES | NO | YES | NO | YES | YES |
| | | | 55 | 85 | T3C* | N/A | | E,F,G | N/A | YES | NO | YES | NO | YES |
| EZP | MHP | 250 | 40 | 85 | N/A | N/A | N/A | N/A | NO | NO | YES | NO | YES | YES |
| EZP | MHP | 320,350 | 40 | 85 | N/A | N/A | N/A | N/A | NO | NO | YES | NO | YES | YES |
| EZP | MHP | 400 | 40 | 85 | N/A | N/A | N/A | N/A | NO | NO | YES | NO | YES | YES |

Notes for Class I, II, III Application Data Tables.

① Instant restrike limited to 55°C ambient maximum.

* ② Temperature code ID marked with an asterisk on Class II table are listed for simultaneous use in Class I, Groups C, D, and Class II, Groups E, F, G or Groups E, F.

③ Fixtures marked "NO" or "N/A" are not suitable for Class II or II applications when supplied with auxiliary quartz.

④ Suitability for locations having deposits of readily combustible paint residue (paint spray booths).

Do not install where marked operating temperature exceeds ignition temperature of hazardous atmosphere.

TABLE N.E.C . 500 - 5 (D)

| I.D. NUMBER | DEGREES C | DEGREES F |
|-------------|-----------|-----------|
| T1 | 450 | 842 |
| T2 | 300 | 572 |
| T2A | 280 | 536 |
| T2B | 260 | 500 |
| T2C | 230 | 446 |
| T2D | 215 | 419 |
| T3 | 200 | 392 |
| T3A | 180 | 356 |
| T3B | 165 | 329 |
| T3C | 160 | 320 |
| T4 | 135 | 275 |
| T4A | 120 | 248 |
| T5 | 100 | 212 |
| T6 | 85 | 185 |